



10/100BASE-TX 81F-2X SERIES TRANSFORMER MODULES For Auto MDI/MDIX Applications

FEATURES

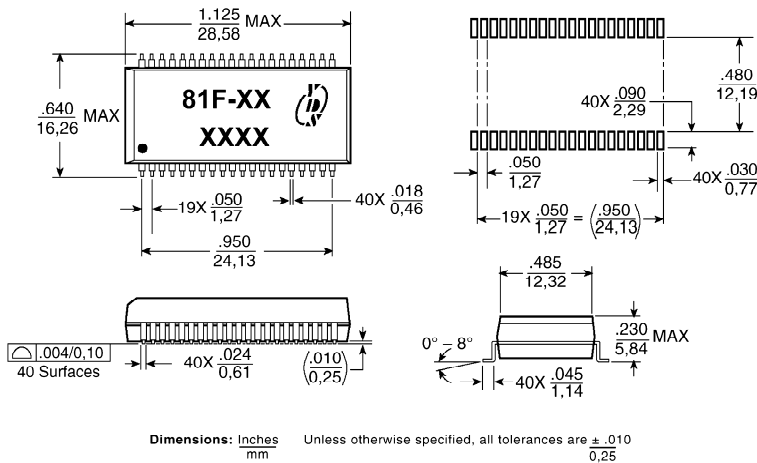
- Symmetrical TX and RX channels for Auto MDI/MDIX capability
- Compliant with IEEE 802.3u and ANSI X3.263 standards including 350 μ H OCL with 8 mA bias
- Designed for reflow soldering at temperatures up to 235°C



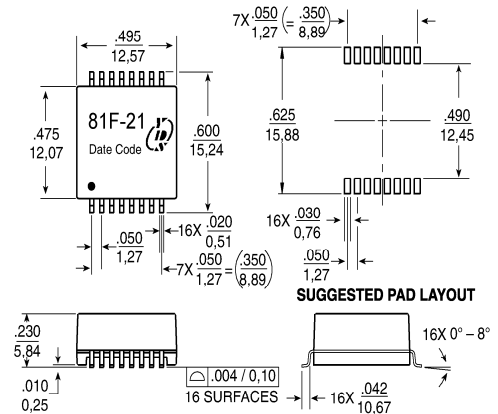
ELECTRICAL SPECIFICATIONS @25 °C -Operating temperature 0 TO 70													
Part Number	Insertion Loss (dB MAX)	Return Loss (dB MIN)					Crosstalk (dB TYP)				Differential to Common Mode Rejection (dB MIN)		Hipot (Vrms MIN) @60Hz
		.1-100 MHz	2-30 MHz	40 MHz	50 MHz	60-80 MHz	1 MHz	30 MHz	60 MHz	100 MHz	1-60 MHz	60-100 MHz	
81F-20	-1.0	-18	-14.4	-13.1	-12	-65	-50	-40	-35	-40	-35	1500	
81F-21	-1.0	-18	-14.4	-13.1	-12	-65	-50	-40	-35	-40	-35	1500	
81F-22	-1.0	-18	-14.4	-13.1	-12	-55	-45	-40	-33	-37	-25	1500	
81F-22C	-1.4	-18	-14.4	-13.1	-12	-55	-45	-40	-33	-37	-25	1500	
81F-20C	-1.0	-16.5	-16	-15.5	-12	-60	-43	-38	-33	-43	-27	1500	

Mechanicals

81F-20,81F-22,81F-22C,81F-20C



81F-21





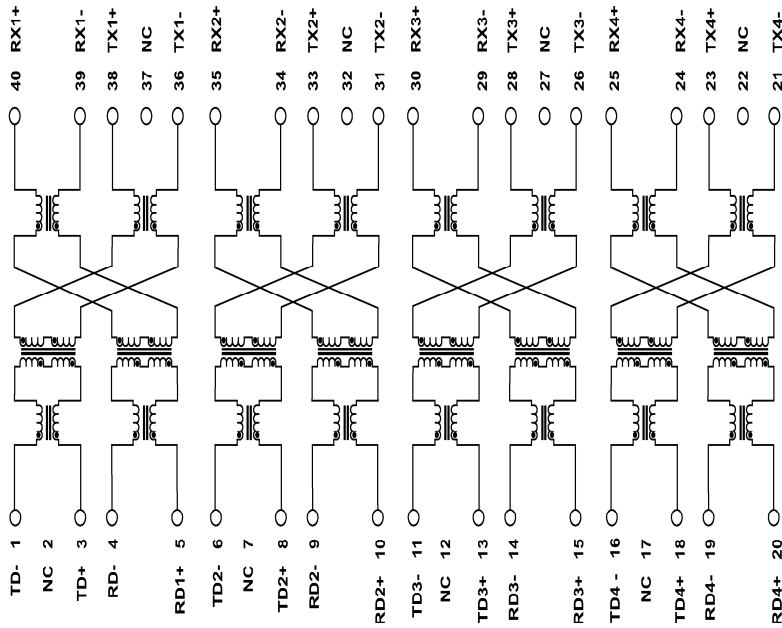
10/100BASE-TX

81F-2X SERIES TRANSFORMER MODULES

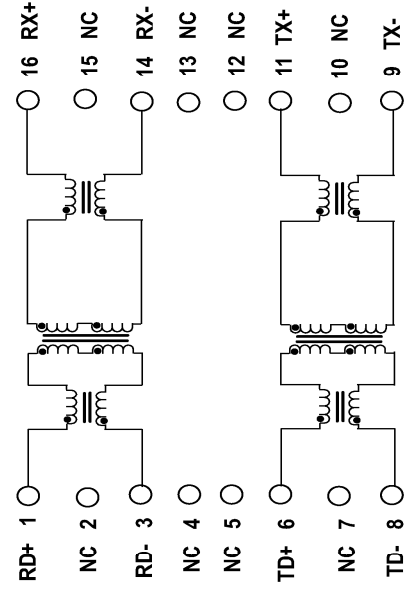
For Auto MDI/MDIX Applications

Schematics

81F-20,81F-20C



81F-21



81F-22,81F-22C

