

2/2-Way; G 1/2"-2 1/2"; PN 0.2-16 bar 两位三通



Advantages/Benefits
 优点/特性

- ▶ Waterhammer-free
无水锤
- ▶ Low noise
低噪声
- ▶ Compact design with high flow rates
结构紧凑, 流量大
- ▶ Low maintenance
维护量小
- ▶ Coil can be locked in 4x 90° positions, or move freely between, as required
线圈可根据需要在4×90°位置上锁定, 或在此角度内自由移动
- ▶ Modular solenoid coil system different sizes and power ratings
标准电磁线圈系统, 各种规格和功率等级
- ▶ Easy coil change
线圈更换方便
- ▶ Wide range of cable plug options Type 2508
多种2508型电缆插座选项

Design/Function
 设计/功能

The valves are based on a modular concept comprising three basic elements: Valve assembly, push-over coil and standard cable plug.
 该阀是按标准设计的, 包括三个基本部分: 阀体、线圈和标准电缆插座。

The coil is pushed over the armature guide tube and thus isolated from the medium. The medium is only in contact with the valve internals and body.
 线圈装在导管外, 因此不与流体接触。流体仅与阀内件和阀体接触。

A wide selection of pipe and orifice sizes is offered. Valves are available with threaded ports in brass.

有多种接管和内孔尺寸可供选择。阀门为黄铜阀体、螺纹接口。

To simplify ordering, a wide selection of standard combinations of valve body, push-over coil and standard cable plug can be ordered with one order number.
 为便于订购, 只需用一个订货号就可以得到阀体、线圈和标准电缆插座的各种标准组合。

Cable plug options of Type 2508 are available to suit special electrical application requirements.
 2508型电缆插座选项可满足特殊电气应用要求。

- The modular concept provides flexibility to meet application requirements.
标准化设计能满足用户要求。

Options: 选项

- Manual override
手动开关
- 5 W power consumption
5W功耗
- 2 W power consumption
2W 功耗

Applications 应用

Fluids 流体

- Neutral liquids up to 16 bar
中性液体, 压力可达16bar
- Hot water up to 120 °C
热水, 温度可达120 °C

Applications 应用

- Process systems
加工系统
- Chemical processing
化学处理
- Water/ sewage treatment
水/废水处理
- General purpose applications
一般应用场合
- Sterilizers
消毒器



Solenoid Valve, waterhammer-free, 0.2-16 bar
 General Purpose
 防水锤电磁阀, 0.2-16 bar 通用型

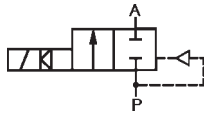
Type 5281
 5281型

Technical Data 技术参数

Circuit function
 回路功能

A 2/2-way, normally closed,
 with 2-way pilot control and
 coupled solenoid system
 两位两通阀, 常闭, 带两通先
 导控制和复合电磁系统

Symbol



Operating Data (Valve)

工作参数(阀门)

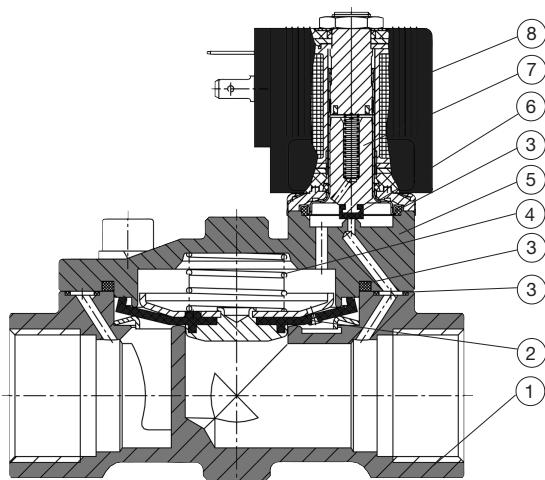
Pressure range 压力范围	0.2-16 bar
Port connection 连接口	G 1/2" - 2 1/2"
Fluid 流体	Seal material NBR: 密封材质 NBR Neutral liquids e.g. water, oils and fat without additives. 中性液体如水、不含添加剂的油 类和脂类 Seal material FPM: 密封材质 FPM: Per-solutions, hot oils, oils with additives. 高溶溶液, 热油, 含添加剂的油类 Seal material EPDM: 密封材质 EPDM Oil and fat-free fluids, e.g. hot water, alkaline washing- and bleaching lyes. 油和无脂流体如热水、碱清洗液 和漂白碱液
Medium temperature 介质温度	see specifications
Max. ambient temperature 最高环境温度	+55 °C
Max. viscosity 最大粘度	21 mm ² /s
Response times 反应时间	opening: 0.2-0.5 s 打开 closing: 1.0-4.0 s 关闭
Installation 安装	as required, but preferably with solenoid system upright. 可根据需要安装, 但最好将 电磁系统朝上

Operating Data (Actuator)

工作参数(执行机构)

Operating voltages 工作电压:	AC 24, 110, 230 V/50-60 Hz DC 24 V/=
Voltages tolerance 电压允差:	±10 %
Power consumption 功耗:	Voltage (AC) 交流 Inrush: 21 VA 吸合 Hold: 12 VA/8 W 保持
Voltage (DC) 直流	Inrush and hold: 吸合和保持 8 W
Duty cycle 负载周期:	100% continuously rated 100% 连续工作
Cycling rate 频率	10-50 c.p.m.
Protection class with cable plug 带电缆插座防护等级	IP 65
Electr. connection 电气连接	Delivery standard: Cable plug DIN 43 650 A, 0-250 V (Other versions see accessories). 标准供货: DIN 43650 A型 电缆插座, 0-250 V (其他形 式参见附件)

Materials 材质



1 Valve body: 阀体	Brass 黄铜
2 Diaphragm: 膜片	NBR, EPDM, FPM
3 O-rings: O型环	NBR, EPDM, FPM
4 Spring: 弹簧	1.4310 不锈钢
5 Cover: 罩	Brass 黄铜
6 Plunger-seal: 铁心密封	NBR, EPDM, FPM
7 Plunger: 铁心	1.4105 不锈钢
8 Coil: 线圈	Polyamide ¹⁾ 尼龙 Epoxy ²⁾ 环氧树脂

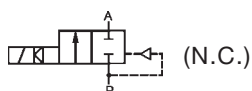
¹⁾ with NBR-sealing
带丁腈橡胶密封

²⁾ with EPDM-, FPM-sealing
带EPDM 氟橡胶密封

Solenoid Valve, waterhammer-free, 0.2-16 bar
 General Purpose
 防水锤电磁阀, 0.2-16 bar 通用型

Type 5281
5281型

Specifications - Ordering Chart (Other Versions on Request) 规格 - 订货表 (其他形式按需提供)



(with standard-cable plug
 0-250 V AC/DC)
 (带标准电缆插座 0-250V
 AC/DC)

Temperature range -10°C ... +90°C; brass body; seal material NBR

温度范围 -10°C...+90°C; 黄铜阀体; 密封材质丁腈橡胶

Port connection 连接口 [Inch]	Orifice 内孔 [mm]	Kv-value (water) Kv值 (水) [m³/h]	Pressure Range 压力范围 [bar]	Seal material 密封材质	Weight 重量 [kg]	ORDER - NO. 订货号			
						Voltage / Frequency 电压/频率			
						24/=	24/50-60	110/50-60	230/50-60
G 1/2	13.0	4.0	0.2-16	NBR	0.60	134 317 M	134 318 W	134 319 X	134 320 U
G 3/4	20.0	5.0	0.2-16	NBR	1.10	134 321 R	134 322 J	134 323 K	134 324 L
G 1	25.0	10.0	0.2-16	NBR	1.50	134 325 M	134 326 N	134 327 P	134 328 Y
G 1 1/4	32.0	20.0	0.2-16	NBR	2.25	134 329 Z	134 330 W	134 331 K	134 332 L
G 1 1/2	40.0	20.0	0.2-16	NBR	2.65	134 333 M	134 334 N	134 335 P	134 336 Q
G 2	50.0	40.0	0.2-16	NBR	4.95	134 337 R	134 338 S	134 339 T	134 340 G
G 2 1/2	65.0	40.0	0.2-16	NBR	5.70	134 341 V	134 342 W	134 343 X	134 344 Y

Temperature range -30°C ... +130°C; brass body, seal material EPDM

温度范围 -30°C...+130°C; 黄铜阀体; 密封材质EPDM

Port connection 连接口 [Inch]	Orifice 内孔 [mm]	Kv-value (water) Kv值 (水) [m³/h]	Pressure Range 压力范围 [bar]	Seal material 密封材质	Weight 重量 [kg]	ORDER - NO. 订货号			
						Voltage / Frequency 电压/频率			
						24/=	24/50-60	110/50-60	230/50-60
G 1/2	13.0	4.0	0.2-16	EPDM	0.60	134 373 V	134 374 W	134 375 X	134 376 Y
G 3/4	20.0	5.0	0.2-16	EPDM	1.10	134 377 Z	134 378 A	134 379 B	134 380 Z
G 1	25.0	10.0	0.2-16	EPDM	1.50	134 381 N	134 382 P	134 383 Q	134 384 R
G 1 1/4	32.0	20.0	0.2-16	EPDM	2.25	134 385 J	134 386 K	134 387 L	134 388 V
G 1 1/2	40.0	20.0	0.2-16	EPDM	2.65	134 389 W	134 390 T	134 391 Q	134 392 R
G 2	50.0	40.0	0.2-16	EPDM	4.95	134 393 J	134 394 K	134 395 L	134 396 M
G 2 1/2	65.0	40.0	0.2-16	EPDM	5.70	134 397 N	134 398 X	134 399 Y	134 400 W

Temperature range -10°C ... +130°C; brass body; seal material FPM

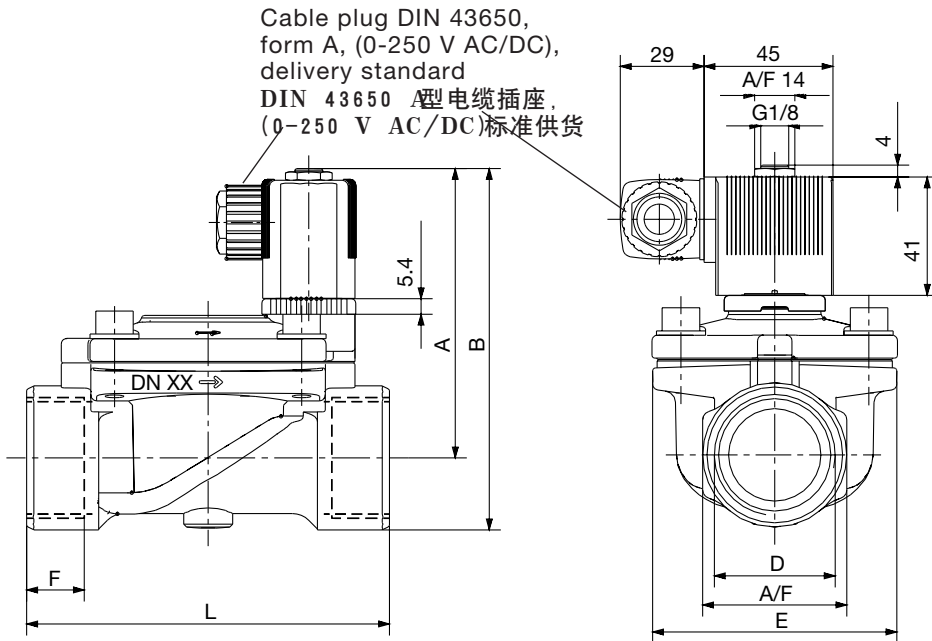
温度范围 -10°C...+130°C; 黄铜阀体; 密封材质氟橡胶

Port connection 连接口 [Inch]	Orifice 内孔 [mm]	Kv-value (water) Kv值 (水) [m³/h]	Pressure Range 压力范围 [bar]	Seal material 密封材质	Weight 重量 [kg]	ORDER - NO. 订货号			
						Voltage / Frequency 电压/频率			
						24/=	24/50-60	110/50-60	230/50-60
G 1/2	13.0	4.0	0.2-16	FPM	0.60	134 345 Z	134 346 S	134 347 T	134 348 C
G 3/4	20.0	5.0	0.2-16	FPM	1.10	134 349 D	134 350 A	134 351 X	134 352 Y
G 1	25.0	10.0	0.2-16	FPM	1.50	134 353 Z	134 354 S	134 355 T	134 356 U
G 1 1/4	32.0	20.0	0.2-16	FPM	2.25	134 357 V	134 358 E	134 359 F	134 360 C
G 1 1/2	40.0	20.0	0.2-16	FPM	2.65	134 361 Z	134 362 S	134 363 T	134 364 U
G 2	50.0	40.0	0.2-16	FPM	4.95	134 365 V	134 366 W	134 367 X	134 368 G
G 2 1/2	65.0	40.0	0.2-16	FPM	5.70	134 369 H	134 370 E	134 371 T	134 372 U

Solenoid Valve, waterhammer-free, 0.2-16 bar
 General Purpose
 防水锤电磁阀, 0.2-16 bar 通用型

Type 5281
 5281型

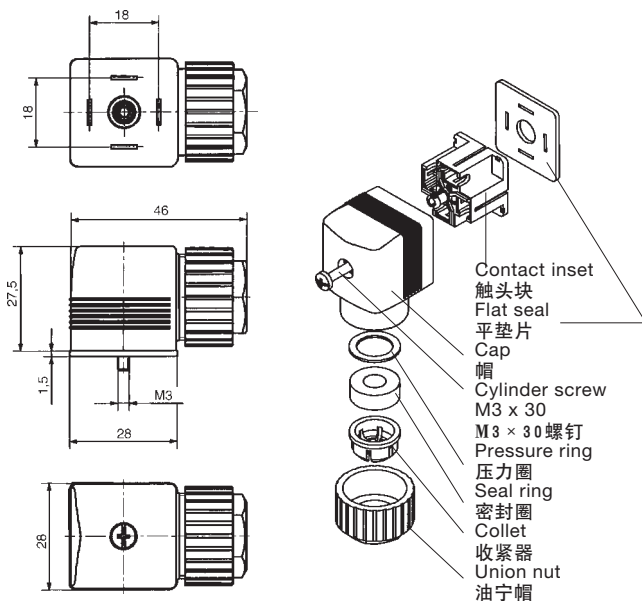
Dimensions (in mm) 外型尺寸



Variable Dimensions 变量尺寸

Port-connection 连接口 D	Orifice 内孔 [mm]	A	B	F	E	L	A/F
G 1/2	13,0	86,0	100,0	14,0	40	65	27
G 3/4	20,0	91,5	107,5	16,0	60	100	32
G 1	25,0	95,5	116,0	18,0	70	115	41
G 1 1/4	32,0	101,5	126,5	20,0	85	126	50
G 1 1/2	40,0	105,5	135,5	22,0	85	126	60
G 2	50,0	122,2	157,2	24,0	115	164	70
G 2 1/2	65,0	122,2	157,2	27,0	115	180	85

Dimensions Accessories (in mm) 附件外型尺寸



Transparent cap, when wired with LED.
 接LED时为透明帽

Ordering Chart for Accessories 附件 订货表

Device/ Accessory 设备/附件	Features 特性	Order-No. 订货号
Cable-plugs¹⁾ Type 2508 2508型 电缆插座	Standard cable plug, 0-250 V AC/DC (standard-delivery) ¹⁾	008 376 N
	with LED, 12-24 V AC/DC	008 360 S
	with LED, 100-120 V AC/DC	008 361 P
	with LED + varistor, 12-24 V AC/DC	008 367 M
	with LED + varistor, 100-120 V AC/DC	008 368 W
	with LED + varistor, 200-240 V AC/DC	008 369 X
	(optional wirings and connection specifications see data sheet Type 2508)	

¹⁾ The standard cable plug (0-250 V AC/DC), Order-No. 008 376 N is part of the standard delivery.
 标准电缆插座(0-250V AC/DC)订货号 008 376 N在标准发货范围内。
 Ordering of optional cable plugs with separate ordering number.
 订电缆插座的其他选项要用不同的订货号。

A wide selection of further cable plugs is available (see special data sheet Type 2508)
 有多种电缆插座可选 (参见2508型资料)

Ordering No. Z5281GA

In case of special requirements please consult for advice.
 如有特殊要求, 请咨询

We reserve the right to make technical changes without notice.
 我们有权进行技术修改, 恕不奉告

710-GB/ 2-0064