

P-0852

Smallest 125Watt, Military,
 Dual Output DC/DC Converter



Main Features:

- Miniature size - wide input range
- Input - output isolation
- For Airborne, Missile & Ground applications
- Meets MIL-STD-704A&D & MIL-STD-1275A (AT)
- High efficiency (typically 83%) - base plate cooling
- Fully protected for over-load short circuit, over-voltage & over-temperature
- Two isolated outputs: 22V & 7V
- Outputs can be modified upon customer request
- External Sync. signal
- EMI filter included

Typical Applications:

- Electronic Warfare (EW) Systems
- Radar Warning Receivers (RWR)
- Missiles
- Navigation Systems

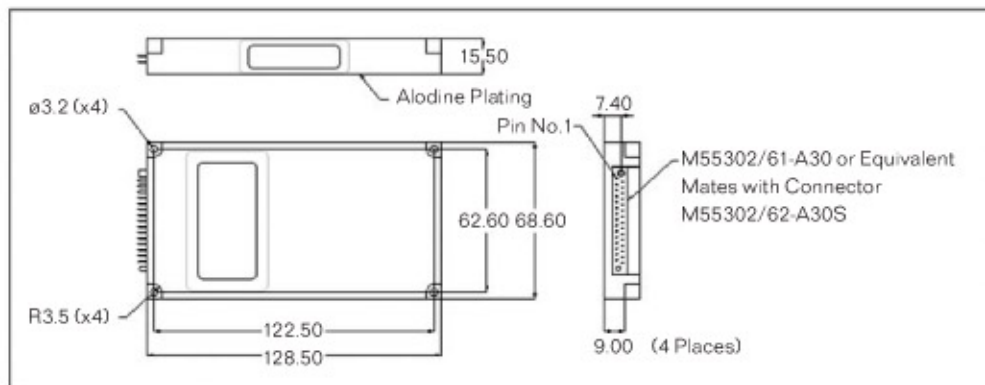
Ordering Information:

Model #	Voltage	Current	Power	R&N
900-0852-0000	22V	4A	90W	50mV
	7V	5A	35W	50mV

Product Specifications:

Input	Input voltage range 18-70VDC Input Per Mil-Std-1275A (AT) & Mil-Std-704A & D Protected for input transients - up to 100V for 100mSec Input injected ripple - up to 4V RMS Reverse Polarity Protection
Output	Output voltage / current - see table "Ordering Information" Line load & temperature regulation +/-1% Current limit and short circuit protection on each output - 110-130% of rated current Over-voltage protection on each output - latched shut down at 110% typical Isolation - Input/Output & Input/Case - >200VDC Output/Case - 100VDC
Controls	ON/OFF signal - TTL POR - Protection Over Ride
Environment	Operating temperature -40°C - +90°C Base plate Storage temperature -55°C - +125°C Vibration per Mil-Std-810D Shock per Mil-Std-810D EMI-RFI per Mil-Std-461D Filter included inside CE-101, CE-102, CS-101, CS-114, CS-115, CS-116, RE-101 RE-102, RS-101, RS-103 MTBF 150,000 hours calculated at 85°C base plate for GF Per Mil-Hdbk-217F notice-2
Mechanical	Size - 128mm x 69mm x 15.5mm Weight - 275 gram Cooling - Base plate Input / Output connector - M55302/61 30 Pin Male

Outline Drawing



Connector Pin-Out:

Pin #	Function	Pin #	Function	Pin #	Function
1	+22V	11	RTN SIGNAL	21	+7V
2	+22V	12	RTN - Vin	22	7V RTN
3	22V RTN	13	RTN - Vin	23	7V RTN
4	22V RTN	14	+Vin	24	NC
5	+7V	15	+Vin	25	ON/OFF
6	+7V	16	+22V	26	RTN - Vin
7	9V RTN	17	+22V	27	RTN - Vin
8	7V RTN	18	22V RTN	28	+Vin
9	NC	19	22V RTN	29	+Vin
10	P.O.R	20	+7V	30	SYNC