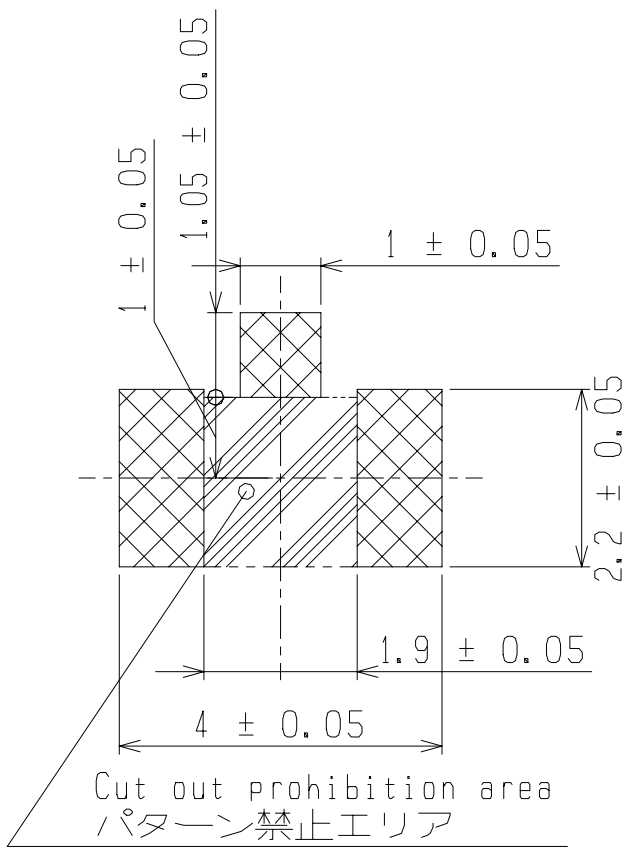
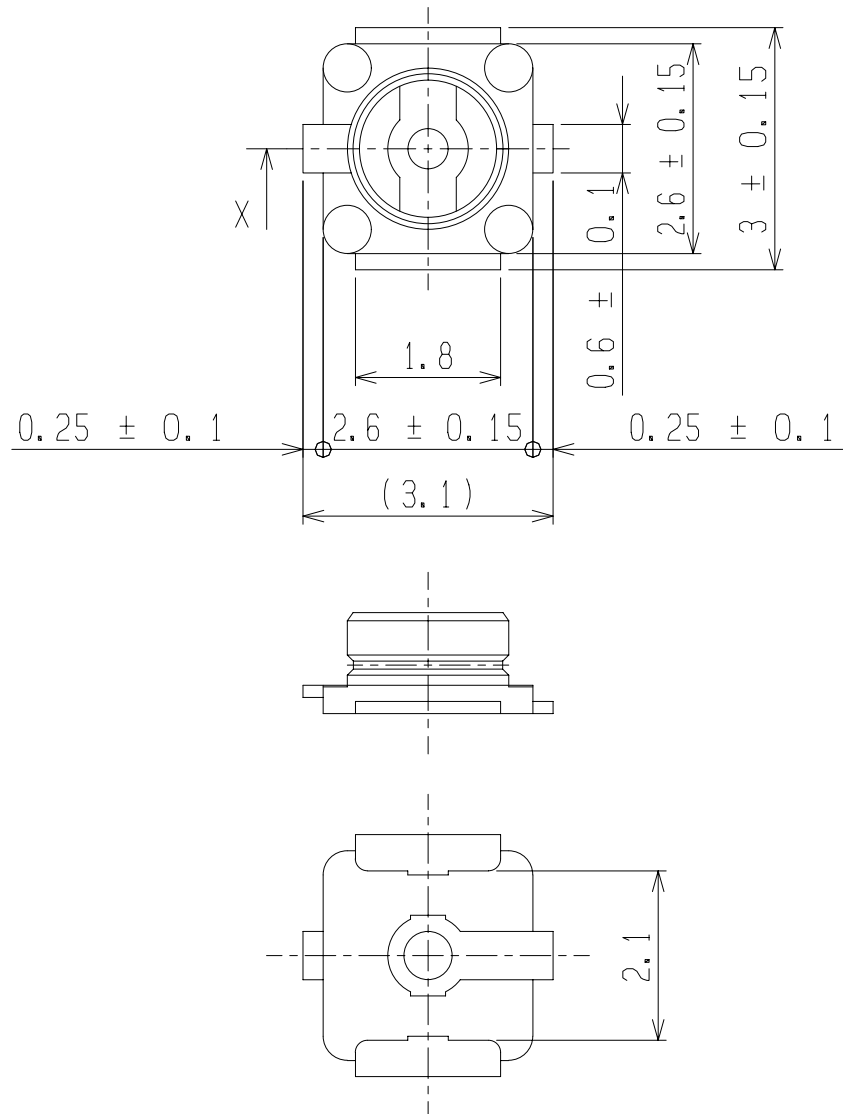
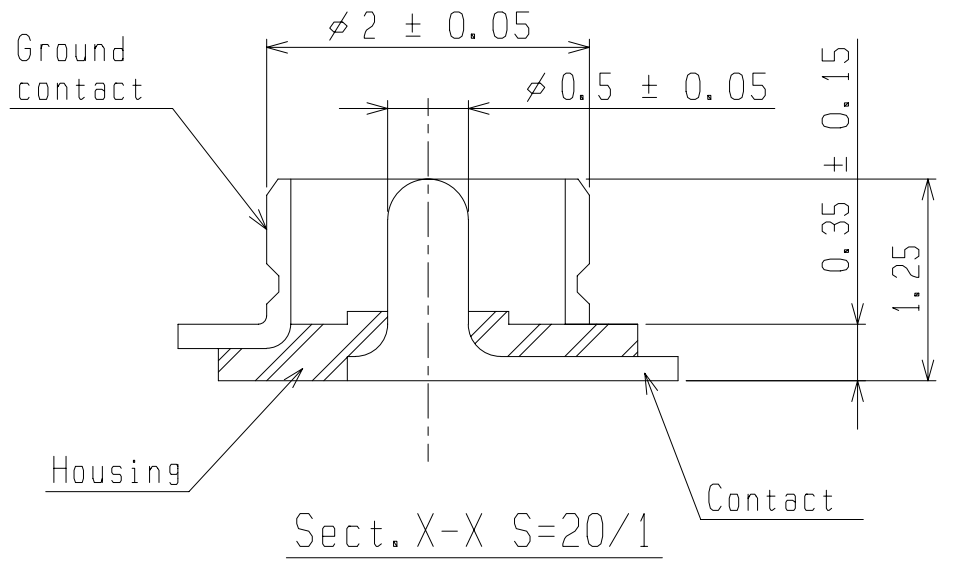


PART NO.
20279-001E-01



RECOMMENDED FOOTPRINT PATTERN

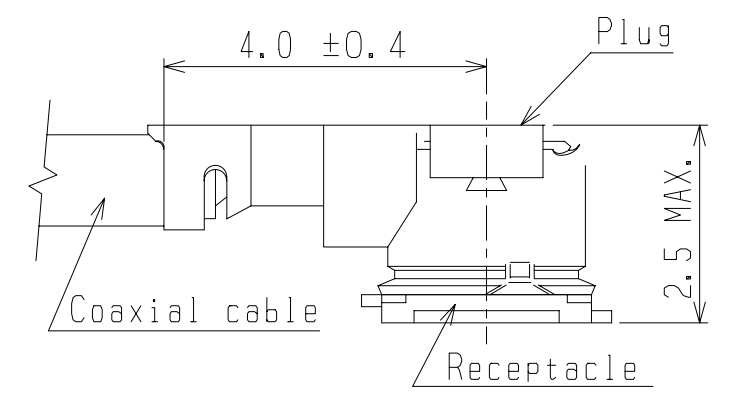


Notes

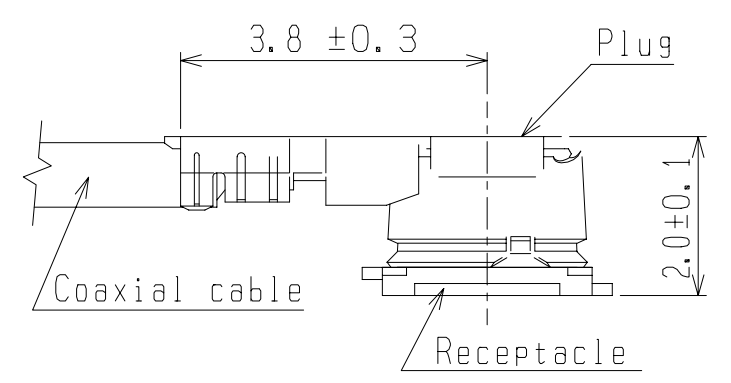
- Material
 - (1) Housing : LCP , UL94V-0 , white
 - (2) Contact : brass , gold plating
 - (3) Ground contact : phosphor bronze , gold plating
- Coplanarity : 0.1mm MAX.
- Packing : emboss tape
- Mating partner part No.
 - : 20278-001R-**
 - : 20311-001R-08

MATING

Plug P/N 20278-001R-08
20278-001R-13
20278-001R-32



Plug P/N 20311-001R-08



Notes

- 材料
 - (1) ハウジング: LCP, UL94V-0, 白色
 - (2) コンタクト: 黄銅, 金メッキ
 - (3) グランドコンタクト: りん青銅, 金メッキ
- コプラナリティ: 0.1mm MAX.
- 梱包 : エンボステープ
- かん合相手 part No.
 - : 20278-001R-**
 - : 20311-001R-08

GENERAL TOLERANCE	
6 MAX.	±0.2
6 OVER MAX. 30	±0.3
30 OVER MAX. 120	±0.5
ANGLE	±2°

DESIGN'D BY	K. Ohbayashi	DATE	JUN/07/01	
CHK'D BY	E. Kawabe	DATE	JUN/07/01	
APP'D BY	K. Katabuchi	DATE	JUN/07/01	
REV.	ECN	BY	DATE	APP
2	Z2052	A.H	MER/07/02	K.K
1	Z1197	K.O	AUG/27/01	K.K
0	Z1103	K.O	JUN/07/01	
REV. RECORD				
SERIES No.		2814		

I-PEX Interconnect and Packaging Electronics TOKYO, JAPAN

TITLE: MHF series micro coaxial connector receptacle vertical

SCALE: 10/1 UNIT: mm DWG. No. 20279 SHEET 1/1 REV. 2