



*Representative photograph, actual product appearance may vary.*

*Due to regional agency approval requirements, some products may not be available in your area. Please contact your regional Honeywell office regarding your product of choice.*

## ASDX030G24R

**Pressure Sensor: Measurement Type: Gage; Amplified, 0 psi to 30 psi Operating Pressure, "G2" DIP Package, Straight Port**

### Features

- ASIC enhanced output
- Wide compensated temperature range 0 °C to 85 °C [32 °F to 185 °F]
- Available in absolute, differential and gage types
- Pressure ranges from 0 psi to 1 psi through 0 psi to 100 psi
- Accuracy +/- 2 % max. Volts Full Scale
- Quantization step of 3 mV
- Response time 8 ms

### Typical Applications

- Medical instrumentation
- Barometry
- HVAC controls
- Pneumatic controls

### Description

The ASDX series is an amplified version of Honeywell's proven performer and industry leading SDX series sensor. The amplified ASDX sensor's footprint is slightly larger than the SDX but it offers a high level output (4.0 Vdc span) on a very cost-effective basis. This series is fully calibrated and temperature compensated with on-board Application Specific Integrated Circuitry (ASIC). They are intended for use with non-corrosive, non-ionic working fluids; such as air and dry gases.

Sensors are available to measure absolute, differential, and gage pressures. The absolute devices have an internal vacuum reference and an output voltage proportional to absolute pressure. Differential devices allow application of pressure to either side of the sensing

diaphragm and can be used for gauge or differential measurements.

All ASDX devices are accurate to within  $\pm 2.0\%$  full scale, designed for operation from a single 5.0 Vdc supply and are manufactured in accordance with ISO 9001 standards.



## ASDX030G24R

**Pressure Sensor: Measurement Type: Gage; Amplified, 0 psi to 30 psi Operating Pressure, "G2" DIP Package, Straight Port**

Product Specifications	
Measurement Type	Gage
Signal Conditioning	Amplified
Pressure Range	0 psi to 30 psi
Maximum Overpressure	60.0 psi
Supply Voltage	4.75 Vdc min., 5.25 Vdc typ., 6.50 Vdc max.
Compensated	Yes
Output Calibration	Yes
Response Time	8.0 ms typ., 11.0 ms max.
Termination	PCB
Port Style	Straight
Package Style	G2 DIP
Full Scale Span	4.0 Vdc
Zero Pressure Offset	0.420 min., 0.500 typ., 0.580 max.
Total Error (% Full Scale)	$\pm 2.0\%$ Span
Shock	50 G for 11 ms
Vibration	10 g at 20 Hz to 2000 Hz
Operating Temperature Range	-20 °C to 105 °C [-4 °F to 221 °F]
Compensated Temperature Range	0 °C to 85 °C [32 °F to 185 °F]
Storage Temperature Range	-40 °C to 125 °C [-40 °F to 257 °F]

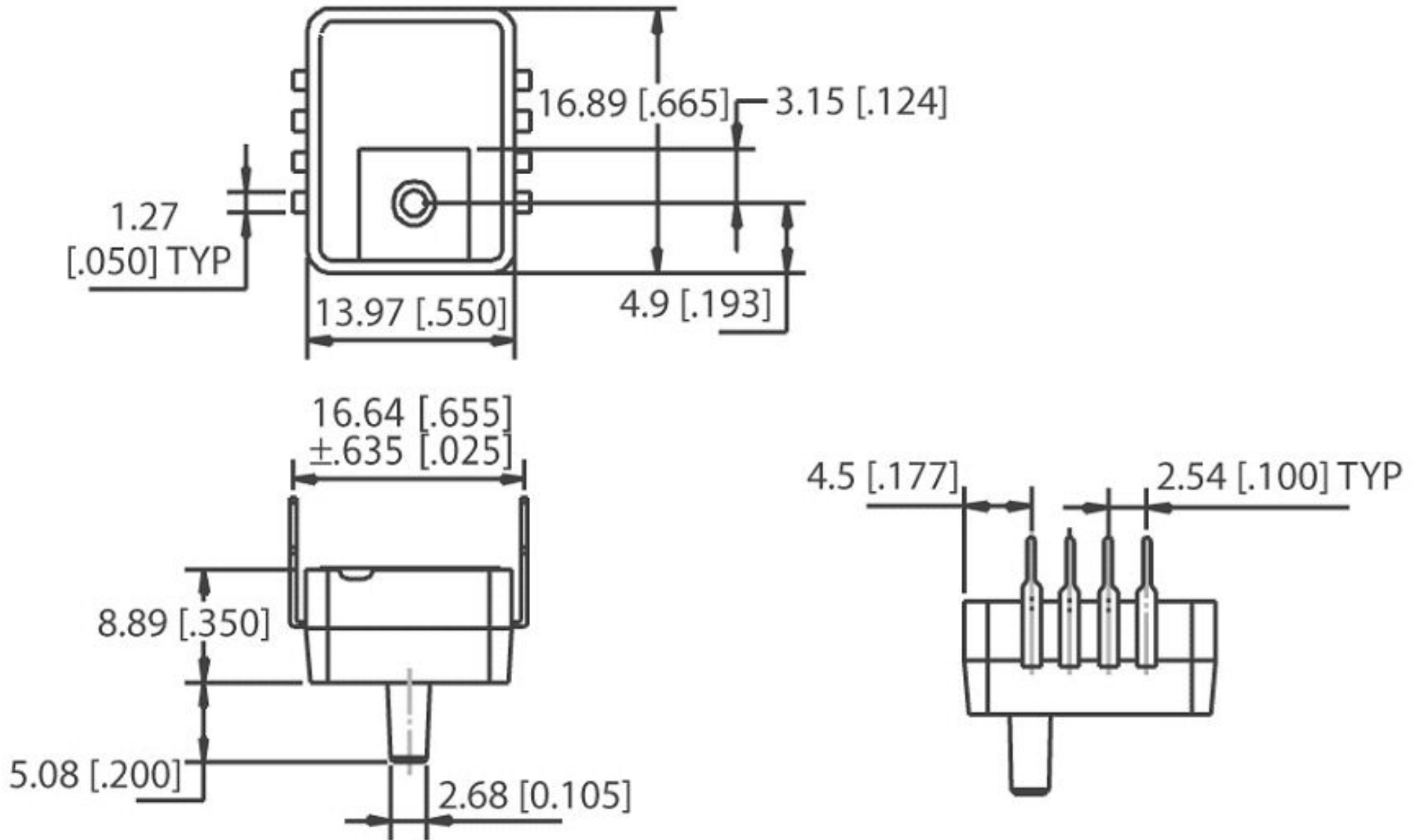
<b>Media Compatibility</b>	Clean, dry gases only
<b>UNSPSC Code</b>	411121
<b>UNSPSC Commodity</b>	411121 Transducers
<b>Comment</b>	Lead Temperature Soldering 2 s to 4 s at 250 °C [482 °F]
<b>Note 1</b>	Life: 1 Million Cycles Minimum
<b>Availability</b>	Global
<b>Series Name</b>	ASDX Series

# Honeywell

---

## ASDX030G24R

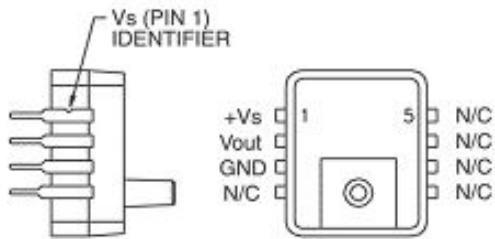
**Pressure Sensor: Measurement Type: Gage; Amplified, 0 psi to 30 psi Operating Pressure, "G2" DIP Package, Straight Port**



**Honeywell**

**ASDX030G24R**

Pressure Sensor: Measurement Type: Gage; Amplified, 0 psi to 30 psi Operating Pressure, "G2" DIP Package, Straight Port



# Honeywell

## ASDX030G24R

Pressure Sensor: Measurement Type: Gage; Amplified, 0 psi to 30 psi Operating Pressure, "G2" DIP Package, Straight Port

[\[Block Diagram\]](#)

# Honeywell

## ASDX030G24R

Pressure Sensor: Measurement Type: Gage; Amplified, 0 psi to 30 psi Operating Pressure, "G2" DIP Package, Straight Port

### **⚠ WARNING**

#### **PERSONAL INJURY**

DO NOT USE these products as safety or emergency stop devices, or in any other application where failure of the product could result in personal injury.

**Failure to comply with these instructions could result in death or serious injury.**

** WARNING**

**MISUSE OF DOCUMENTATION**

- The information presented in this product sheet (or catalog) is for reference only. DO NOT USE this document as product installation information.
- Complete installation, operation and maintenance information is provided in the instructions supplied with each product.

**Failure to comply with these instructions could result in death or serious injury.**

© Copyright Honeywell Inc.1998-2004 All rights reserved.