

EC52 Series
AC Filter

EC52 交流滤波电容

* 产品简介 (General Description)

| | |
|--------------------------|--|
| 介质材料 (Dielectric): | 聚丙烯膜&聚酯膜(Polypropylene or Polyester) |
| 外壳结构 (Case): | 铝外壳 (Aluminum Case with with PVC Tube) |
| 引出端头 (Terminals): | 螺母&螺栓 (Female terminals) |
| 内部结构 (Technology): | 阻燃树脂填充无感干式结构 (No-Inductive,Dry Film) |
| 工作温度 (Work Temperature): | - 40 ~ + 105°C |
| 产品特性 (Performance): | 较低的等效串联电阻 (Low ESR) 较低的等效串联电感 (Low ESL) 较高的纹波电流承受能力(High IRMS Current) |
| 产品应用 (Application): | UPS电源、高压变频器、逆变器、光伏逆变电源 中频炉、感应加热设备、激光设备、焊接设备、高频电源等 (Converter, Inverter, High Frequency SMPS,Power electroincs,etc..) |



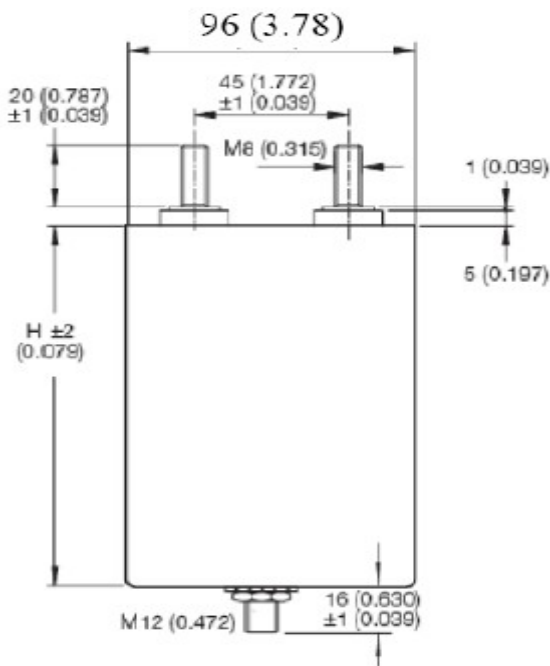
* 电气性能(Electrical Characteristics)

| | |
|------------------------------|-----------------------|
| 容值范围(Cn,Capacitance range): | 0.22 ~ 1200μF |
| 容量偏差(Tolerance): | ± 5% (J)、± 10% (K) |
| 工作电压(Urms,Rated AC Voltage): | 150 to 3000VAC |
| 极间耐电压(UTT): | 1.5 * Un @ 60s , 25°C |
| 电极与外壳耐压(UTC): | 4KVAC @ 10s , 50Hz |

** UTT: Test voltage between terminals

** UTC: Test voltage between terminals with case

* 外形尺寸(Drawing)

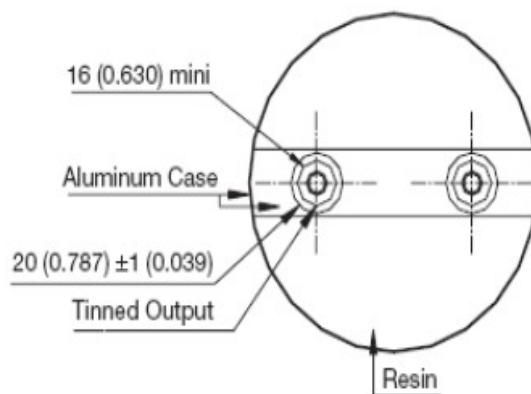


最大扭矩: 6.5 N.m (M8 螺杆)

Max Torque: 6.5 Nm (M8 Male)

最大扭矩: 2.5 N.m (M5 螺母)

Max Torque: 2.5 Nm (M5 Female)



EC52 Series
AC Filter

EC52 交流滤波电容

* 标准产品电气性能表(Standard Electrical Data)

| 容量 Cap. | 产品代码 Part Number | Ipeak (A) | Irms (A) | ESL | ESR | dv/dt | DIMENSION Unit: mm | | |
|----------------------------|---------------------|--------------|-------------|-----|-----|-------|--------------------|-----|-------|
| | | | | | | | D | H | d |
| Un=450 Vdc 300 Vac | | | | | | | | | |
| 100 | EC52-30P100 | 3300 | 35 | 54 | 3.7 | 32 | 96 | 82 | M6/M8 |
| 150 | EC52-30P150 | 3175 | 24 | 73 | 5.1 | 20 | 96 | 105 | M6/M8 |
| 200 | EC52-30P200 | 3100 | 13 | 110 | 6.5 | 15 | 96 | 130 | M6/M8 |
| 250 | EC52-30P250 | 3078 | 2.5 | 135 | 8.9 | 11 | 96 | 146 | M6/M8 |
| Un=900 Vdc 690 Vac | | | | | | | | | |
| 20 | EC52-69P20 | 2875 | 27 | 50 | 3.6 | 145 | 96 | 82 | M6/M8 |
| 40 | EC52-69P40 | 3110 | 25 | 87 | 5.2 | 74 | 96 | 105 | M6/M8 |
| 50 | EC52-69P50 | 3075 | 23 | 105 | 6.7 | 65 | 96 | 130 | M6/M8 |
| 65 | EC52-69P65 | 3000 | 22 | 145 | 8.4 | 58 | 96 | 146 | M6/M8 |
| Un=1350 Vdc 900 Vac | | | | | | | | | |
| 10 | EC52-90P10 | 2978 | 32 | 57 | 4.3 | 285 | 96 | 82 | M6/M8 |
| 18 | EC52-90P18 | 3165 | 27 | 74 | 5.4 | 231 | 96 | 105 | M6/M8 |
| 25 | EC52-90P25 | 3088 | 24 | 103 | 7.2 | 144 | 96 | 130 | M6/M8 |
| 35 | EC52-90P35 | 3005 | 19 | 146 | 8.7 | 117 | 96 | 146 | M6/M8 |

注：仅举部分产品，可根据客户要求定做！

* 产品代码定义 (Part Number)

如：EC52-90P30K = 30UF 900VAC ±10%

