

Maglin linear magnetic encoder system

User Guide

Inoservo.Co.,Ltd.

Science & Technology Park

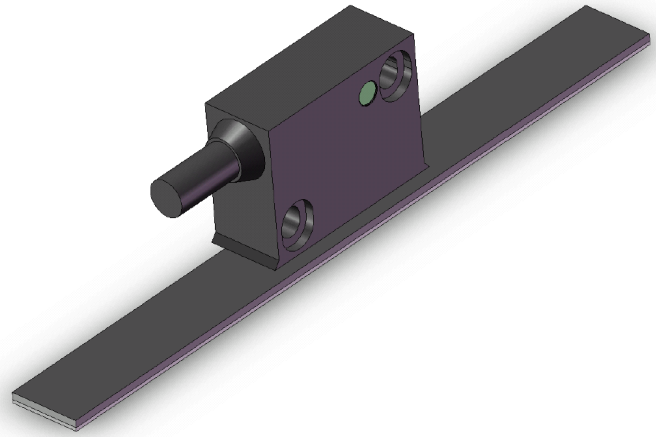
ShenZhen China

Tel.: +86 (0) 755 86008400

E-mail : info@inoservo.com

<http://www.inoservo.com>

- High reliability from proven non-contact sensing technology
- High speed operation
- Excellent dirt immunity
- Industry standard digital and analogue output options
- Customer selectable resolutions from 50 μm to 1 μm
- Integral set-up LED
- Axis lengths of up to 90 m



Digital output:

Mag2A-1 μm
Mag2B-2 μm
Mag2C-5 μm
Mag2D-10 μm

Mag2E-20 μm
Mag2F-25 μm
Mag2G-50 μm

Analogue output:

Mag2AA-Vp-p Differential

The Maglin is a contactless high-speed linear magnetic encoder designed for use in harsh environments. The Maglin features a compact sealed readhead that rides at up to 1.3 mm from the self-adhesive magnetic strip scale, which brings up to 90 m travel.

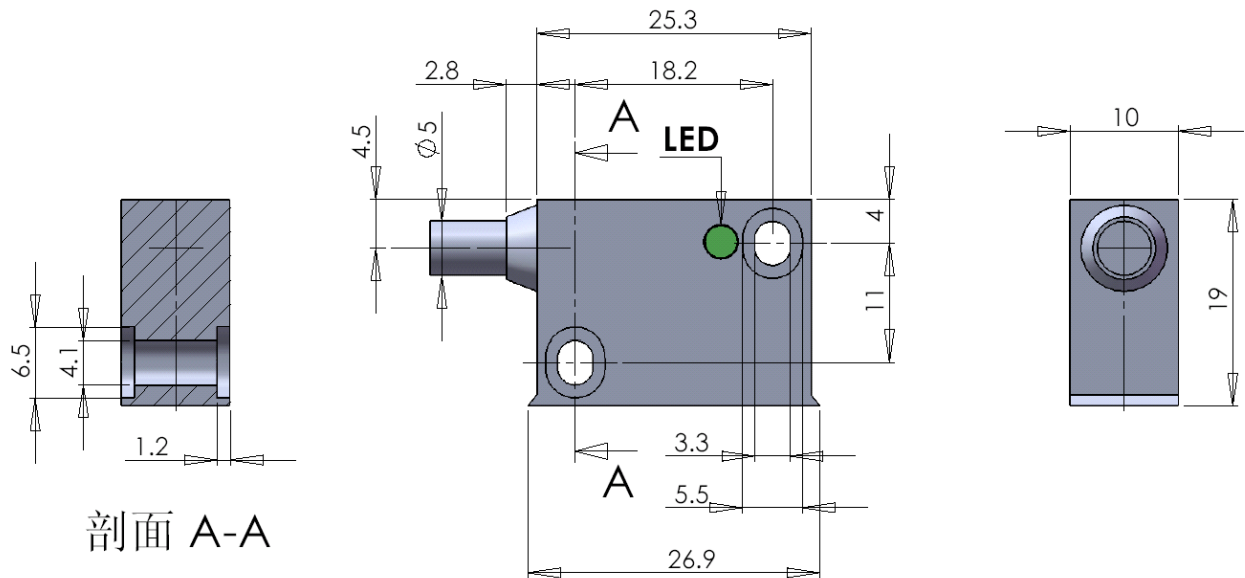
Simple to install, the Maglin features an integral set-up LED on the readhead, wide installation tolerances and an applicator tool for the adhesive-backed magnetic scale. A bidirectional reference is provided that can be actuated by a preset mark integrated within the scale.

The encoders come in digital or analogue output variants and offer a range of customer selectable resolutions including 1 μm , 2 μm , 5 μm , 10 μm , 20 μm and 50 μm . The Maglin is capable of velocities up to 25 m/s; even at 1 μm resolution it is capable of 4 m/s.

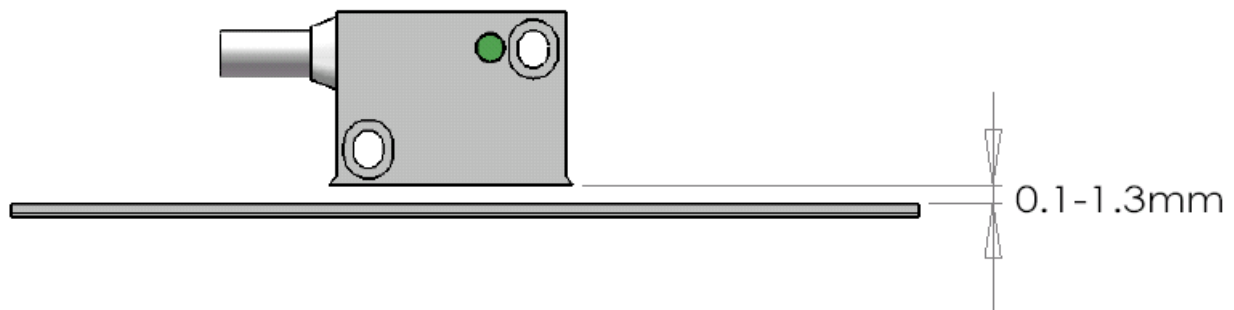
Engineered for extreme service, the solid-state Maglin linear encoders operate from -10 °C to +80 °C, have water-proof sealing to IP67 and are highly resistant to shock, vibrations and pressure. The robust magnetic scale is also resistant to a range of chemicals commonly found in industry. The non-contact, frictionless design eliminates wear while reducing hysteresis giving precision at high speeds and accelerations. The Maglin encoders bring reliable solutions to tough, hard-working applications including woodworking, stone-cutting, sawing, metalworking, textiles, printing, packaging, plastics processing,

automation and assembly systems, laser/flame/water-jet cutting, electronic assembly equipment etc.

Maglin dimensions:



Maglin installation tolerances



Output definition:

Pin	1	2	3	4	5	6	7	8	Shield
Colour	Red	Black	White	Grey	Blue	Purple	Brown	Green	Silver
Function	5V	GND	A+	A-	B+	B-	Z+	Z-	Shell

System data:

Power supply: 5V $\pm 5\%$
Power consumption: <30mA (without any load)

Temperature: -10-80度
Environmental sealing: IP67
Vibrations: 20G (55 Hz to 2000 Hz)
Cable : 8* AWG26 high flexible cable, drag-chain compatible,, variable cable length is optional