

# Type SCT IGBT Snubber Capacitor Modules

SCT型 直接安装

## Type SCT Direct Mount



特点：

### Highlights

承受瞬间大电流

- High peak & RMS current capability
- 直接安装在IGBT模块上  
Mounts directly to the IGBT module
- 小于20nH的低电感  
Low inductance < 20 nH
- 符合UL94V0 标准的阻燃环氧树脂封装  
Flame resistance case and resin, meets UL94V0

种类

### Ratings

用途：

### Applications

SCT型对高速率电压上升的中低电流的IGBT提供了电压的保护，

Type SCT offers protection against voltage transients in

low to medium current IGBT applications where high

连接在两个IGBT模块上联络C1到E2的电容，或者从P端口及

dV/dt is encountered. Connect these capacitors from

C1 to E2 on a dual IGBT module or from terminal P  
N端口除了在六组模块上一些瞬间的电压。

to terminal N on a six-pack module to eliminate severe

voltage transients.

目录型号 Catalog Part Number	电容量 Cap. ( $\mu\text{F}$ )	频率 60 Hz (Vac)	电压 上升 速率 dV/dt (V/ $\mu\text{s}$ )	峰值 电流 Ipk (A)	等效 串联 电阻 ESR Typ. (m $\Omega$ )	安培 I 70°C 100 kHz (Arms)	长度 Length (L)		SL型尺寸的参考因素 Consult Factory for "SL" Style Dimensions			
									B型的高度 H for "B" Type		B型的宽度 W for "B" Type	
									S型的宽度 W for "S" Type		S型的高度 H for "S" Type	
									(in)	(mm)	(in)	(mm)
<b>600 Vdc</b>												
SCT474K601A3B25-F	0.47	275	250	118	12	8.1	1.77	45.0	1.30	33.0	0.87	22.0
SCT684K601A3B25-F	0.68	275	200	136	9	9.4	1.77	45.0	1.30	33.0	0.87	22.0
SCT105K601A3B25-F	1.00	275	150	150	8	10.0	1.77	45.0	1.30	33.0	0.87	22.0
SCT155K601A3B25-F	1.50	275	150	225	7	10.6	1.77	45.0	1.30	33.0	0.87	22.0
SCT205K601A3B25-F	2.00	275	150	300	7	11.7	2.01	51.0	1.42	36.0	0.98	25.0
SCT335K601A3B25-F	3.30	275	150	495	5	14.8	2.01	51.0	1.57	40.0	1.18	30.0
SCT475K601A3B25-F	4.70	275	120	564	4	19.6	2.32	59.0	1.77	45.0	1.38	35.0
<b>1000 Vdc</b>												
SCT224K102D3B25-F	0.22	500	650	143	19	6.4	1.77	45.0	1.30	33.0	0.87	22.0
SCT474K102D3B25-F	0.47	500	450	211	9	9.3	1.77	45.0	1.30	33.0	0.87	22.0
SCT564K102D3B25-F	0.56	500	400	224	9	9.3	1.77	45.0	1.30	33.0	0.87	22.0
SCT684K102D3B25-F	0.68	500	400	272	7	10.6	1.77	45.0	1.30	33.0	0.87	22.0
SCT105K102D3B25-F	1.00	500	400	400	5	13.8	2.01	51.0	1.42	36.0	0.98	25.0
SCT125K102D3B25-F	1.20	500	400	480	5	15.1	2.01	51.0	1.57	40.0	1.18	30.0

# Type SCT IGBT Snubber Capacitor Modules

种类

## Ratings

目录型号 Catalog Part Number	电容量 Cap. ( $\mu$ F)	频率 60 Hz (Vac)	电压 上升 速率 dV/dt (V/ $\mu$ s)	峰值 电流 Ipk (A)	等效 串联 电阻 ESR Typ. (m $\Omega$ )	频率 I 70°C 100 kHz (Arms)	长度 Length (L) (in) (mm)		SL型尺寸的参考因素 Consult Factory for "SL" Style Dimensions			
									B型的高度 H for "B" Type		B型的宽度 W for "B" Type	
									S型的宽度 W for "S" Type		S型的高度 H for "S" Type	
									(in)	(mm)	(in)	(mm)
<b>1200 Vdc</b>												
SCT224K122D3B25-F	0.22	550	650	143	19	6.4	1.77	45.0	1.30	33.0	0.87	22.0
SCT334K122D3B25-F	0.33	550	500	165	13	7.8	1.77	45.0	1.30	33.0	0.87	22.0
SCT474K122D3B25-F	0.47	550	500	235	10	9.8	2.01	51.0	1.42	36.0	0.98	25.0
SCT684K122D3B25-F	0.68	550	500	340	7	12.7	2.01	51.0	1.57	40.0	1.18	30.0
SCT105K122D3B25-F	1.00	550	500	500	5	15.1	2.01	51.0	1.57	40.0	1.18	30.0
SCT155K122D3B25-F	1.50	550	400	600	4	19.6	2.32	59.0	1.77	45.0	1.38	35.0
SCT205K122D3B25-F	2.00	550	400	800	4	19.6	2.32	59.0	1.77	45.0	1.38	35.0
SCT305K122D3B25-F	3.00	550	400	1200	5	20.0	2.32	59.0	2.17	55.0	1.77	45.0
<b>1600 Vdc</b>												
SCT224K162D3B25-F	0.22	630	650	143	19	6.4	1.77	45.0	1.30	33.0	0.87	22.0
SCT334K162D3B25-F	0.33	630	650	215	12	8.1	1.77	45.0	1.30	33.0	0.87	22.0
SCT474K162D3B25-F	0.47	630	650	306	10	9.8	2.01	51.0	1.42	36.0	0.98	25.0
SCT684K162D3B25-F	0.68	630	650	442	7	12.7	2.01	51.0	1.57	40.0	1.18	30.0
SCT105K162D3B25-F	1.00	630	500	500	6	15.9	2.32	59.0	1.77	45.0	1.38	35.0
SCT155K162D3B25-F	1.50	630	400	600	5	20.0	2.32	59.0	2.17	55.0	1.77	45.0
SCT205K162D3B25-F	2.00	630	400	800	5	20.0	2.32	59.0	2.17	55.0	1.77	45.0
<b>2000 Vdc</b>												
SCT224K202D3B25-F	0.22	630	800	176	19	6.4	1.77	45.0	1.30	33.0	0.87	22.0
SCT334K202D3B25-F	0.33	630	800	264	13	8.2	2.01	51.0	1.42	36.0	0.98	25.0
SCT474K202D3B25-F	0.47	630	800	376	10	10.7	2.01	51.0	1.57	40.0	1.18	30.0
SCT684K202D3B25-F	0.68	630	600	408	8	13.8	2.32	59.0	1.77	45.0	1.38	35.0
SCT105K202D3B25-F	1.00	630	600	600	6	16.6	2.32	59.0	1.85	47.0	1.54	39.0
SCT125K202D3B25-F	1.20	630	600	720	5	20.0	2.32	59.0	2.17	55.0	1.77	45.0
SCT155K202D3B25-F	1.50	630	600	900	5	20.0	2.32	59.0	2.17	55.0	1.77	45.0

Note: Other capacitance values, voltages, lug orientations and terminal hole spacings are available. Please contact us.

# Type SCT IGBT Snubber Capacitor Modules

型号体系

## Part Numbering System

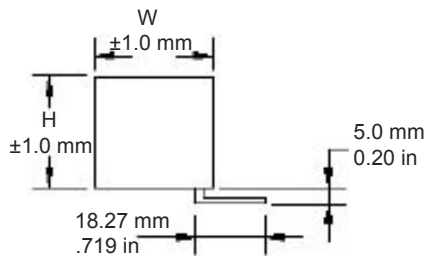
SCT	105	K	122	A	3	B	25	F
型号 Type	电容值 Value	电容误差 Tolerance	电压代码 Voltage Code	内部使用 Internal Use Only		端口安装型状 Terminal Mounting	端口孔径距离 Terminal Hole Spacing	RoHS 环保设计 Compliant Designation
SCT	474 = .47 $\mu$ F 105 = 1.0 $\mu$ F	K = $\pm$ 10%	601 = 600 Vdc 102 = 1000 Vdc 122 = 1200 Vdc 162 = 1600Vdc 202 = 2000 Vdc	A D	3 3	B S SL See Outline Drawings	23 = 23 mm 25 = 25 mm 28 = 28 mm (For B & S Styles Only)	F = Compliant Blank = Not

略图

## Outline Drawings

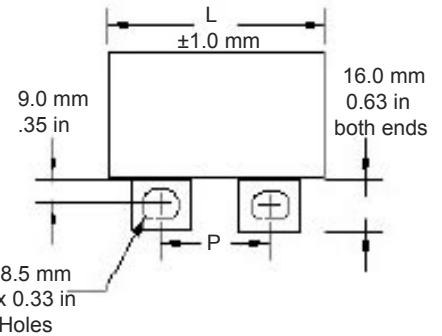
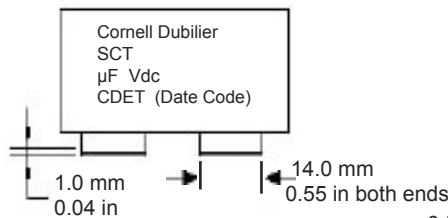
SCT B型端子形状

### SCT "B" Style Terminal Lugs



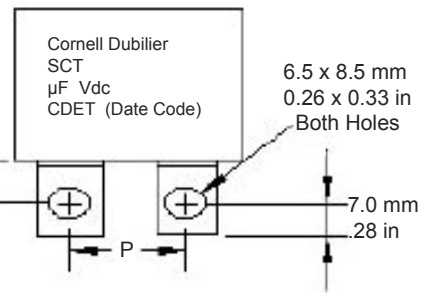
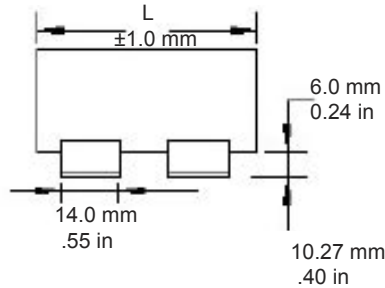
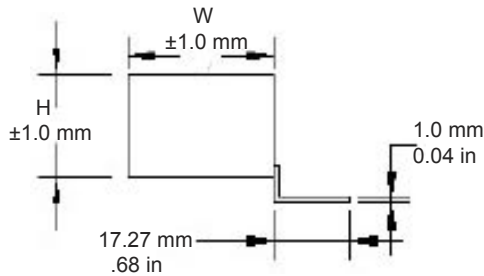
前视图  
Front View

上视图  
Top View



SCT S型端子形状

### SCT "S" Style Terminal Lugs



SCT SL型端子形状

### SCT "SL" Style Terminal Lugs

