

◆ **产品特性 Features**

- * 低损耗 Low dissipation factor of 0.5% at 1 KHz
- * 高频特性 High frequency $\geq 80\text{KHz}$
- * 过电流大 High current $\geq 1\text{A}$
- * 高压特性好 High voltage $\geq 45\text{KVDC}$
- * 绝缘电阻大 High insulation resistance $\geq 100000\text{M}\Omega$
- * 使用寿命长 Long life ≥ 10 years



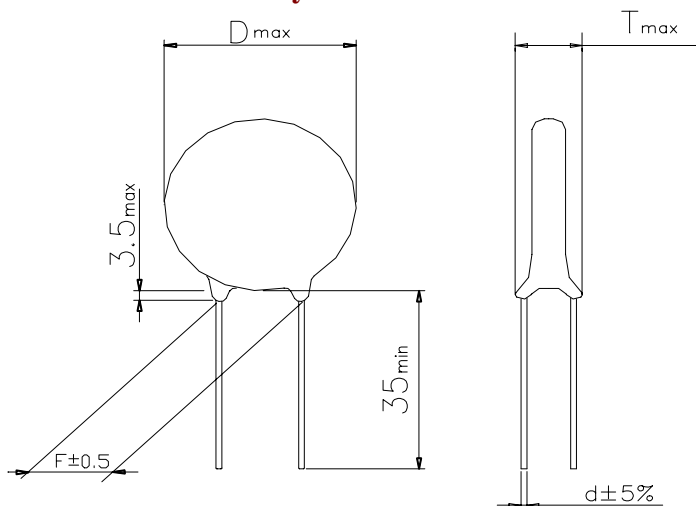
◆ **用途 Applications**

- * 适用于高频高压电源 High frequency & high voltage power supplies;
- * 高压脉冲发生器 high voltage pulse generator
- * X 光机电源 X-ray equipment
- * 无损探伤检测 NDT (Non-destructive testing)
- * 机场安检设备 Airport security equipment
- * 军工 Military

◆ **陶瓷温度特性 Ceramic dielectric properties:**

NO.	陶瓷介质 Ceramic Dielectric	温度范围 Operating temperature Range(°C)	绝缘电阻 Insulation Resistance ($\geq \text{M}\Omega$)	损耗角 Dissipation Factor \leq	温度变化率 Temperature characteristics
1	Y5T(D)	-25~+85	100000	0.5%	+22% -33%

◆ **外观尺寸 Dimension & Lead Style:**

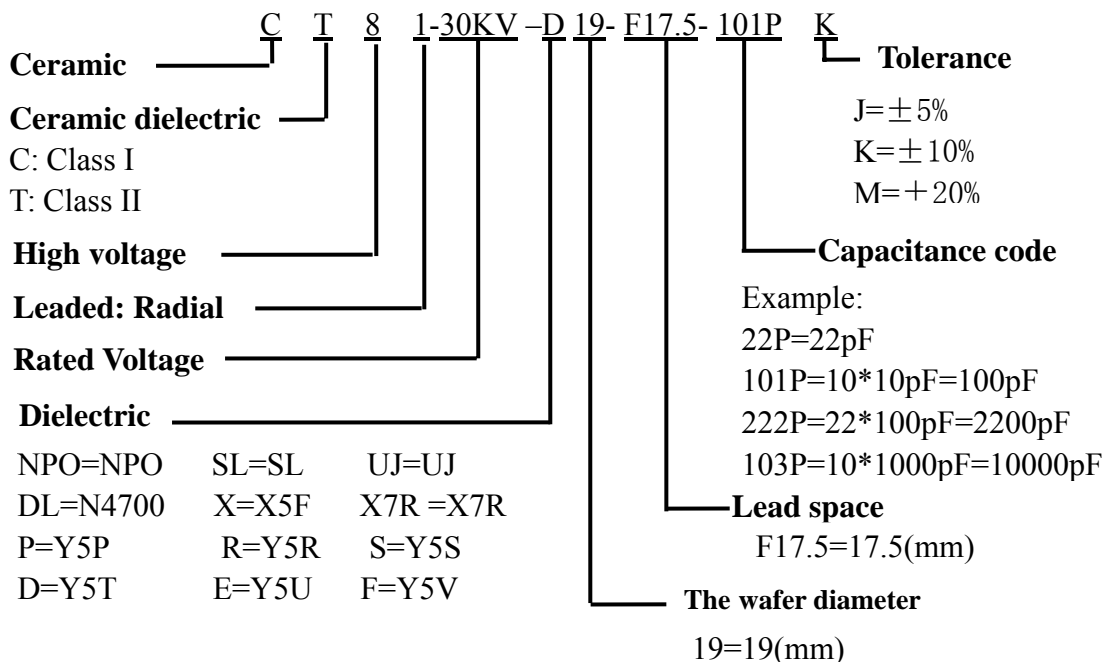


high voltage ceramic capacitors

◆ Standard Ratings:

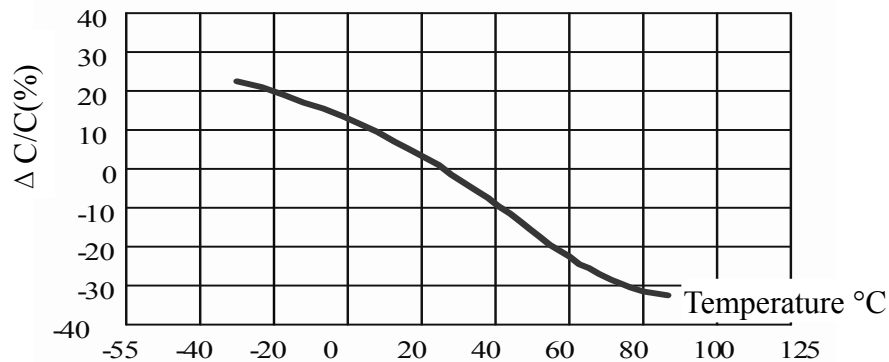
With stand	Part Number	Capacitance		Dimensions (mm)			
		C	TOL.	D	T	F	d
1	CT81-30KV-D19-F17.5-102K	1000	10	19	12	17.5	0.8
2	CT81-30KV-D27-F20-222K	2200	10	27	13	20	1.2
3	CT81-30KV-D32-F20-332M	3300	20	32	13	20	1.2
4	CT81-30KV-D40-F20-502M	5000	20	40	14	20	1.2

◆ Explanation of part numbers:

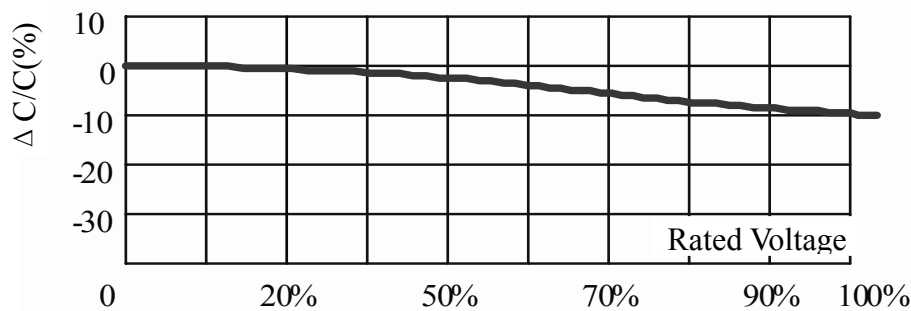


◆ About Y5T ceramic

<p>Y5T 材质是一种性能较好的 II 类通用陶瓷，当温度在-25°C 到+85°C 时其容量变化为+22/-33%，介质损耗小于 0.5%，绝缘电阻大于 100000MΩ。</p>	<p>Y5T is a better performance of Class II General Ceramics. Its temperature variation of capacitance is within +22/-33% from -25°C to +85°C. Dissipation factor is less than 0.5%, insulation resistance greater than 100000MΩ.</p>
---	--



Y5T 电容变化温度曲线
Y5T Capacitance change vs Temperature



Y5T 电容变化电压关系曲线
Y5T Capacitance change vs Voltage

◆注意事项	PRECAUTIONS
<p>(1) 运输和储存</p> <ul style="list-style-type: none"> •请避免在高温或高湿度或淋雨状态下运输或储存电容。 •不要放置在有毒气体，如硫酸，盐酸，硝酸等。 •避免碰。 <p>(2) 在操作过程中</p> <ul style="list-style-type: none"> •避免接触，如汗液电解质。不要赤手触摸。 •避免过多的影响，如坠落造成。 <p>(3) 用法</p> <ul style="list-style-type: none"> •当电容器用于高速脉冲，如激光，确保外加电压（峰 - 峰值电压），电容器的额定范围内。 •尽可能避免来自其它途径的热能传导给电容器。 	<p>(1) During transportation and storage</p> <ul style="list-style-type: none"> • Do not transport or store where the capacitor will be exposed to high temperature or high humidity. • Do not expose to poisonous gases such as H₂SO₄, HCL or HNO₃. • Avoid excessive impact such as that caused by falling. <p>(2) During operation</p> <ul style="list-style-type: none"> • Avoid contact with electrolytes such as perspiration. Do not touch with bare hands. • Avoid excessive impact such as that caused by falling. <p>(3) Usage</p> <ul style="list-style-type: none"> • When the capacitor is used for high-speed pulses such as with a laser, make sure that the impressed voltage (peak-to-peak volt-age) is within the capacitor's rated specifications. • Make sure that the capacitor is not exposed to radiant heat from chambers or transformers.