

中国正式一级代理【广州南创】全国批发热线：020-28989912/15360807023李工

120-50T 称重传感器

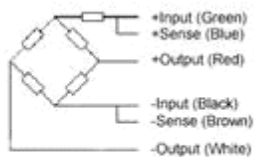
南创电子科技传感事业 1 部使用资料

美国特迪亚 **tedea 120-50T** 称重传感器取得 **ATEX EEX ia IIC T4** 防爆认证；防护等级 **IP68**；应用于汽车衡；灌装秤和筒槽秤；轨道衡 过程称重。下面是 **120-50T** 称重传感器技术参数图以及特点：

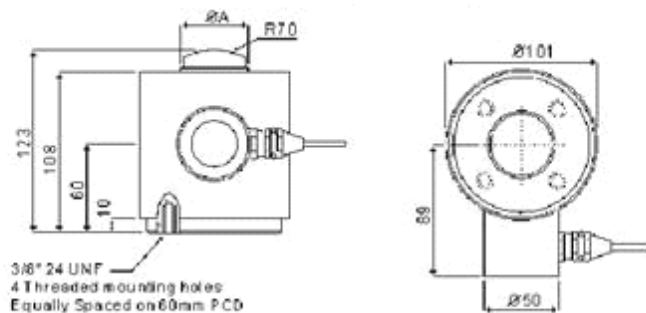
GRADE	C	UNITS
Rated Capacities	5, 10, 15, 17, 20, 25, 30, 40, 50, 60	tons
Rated Output	2.0 ± 0.1%	mV/V
Total Error*	0.10	±% of Rated Output
Zero Return after 20 mins	0.10	±% of Applied Load
Temperature Effect : On Output	0.0050	±% of Applied Load / °C
Temperature Effect : On Zero	0.0050	±% of Rated Load Output / °C
Zero Balance	2.0	±% of Rated Output
Temperature range : Operating	-30 to +70	°C
Temperature range : Compensated	-10 to +45	°C
Safe Overload	150	% of Rated Capacity
Ultimate Overload	250	% of Rated Capacity
Excitation: Recommended	10	Volts AC or DC
Excitation: Maximum	15	Volts AC or DC
Input Impedance	375 ± 15	Ohms
Output Impedance	351 ± 3	Ohms
Insulation Impedance	>2000	Mega Ohms
Deflection at Rated Capacity	<0.4	mm
Weight :	5.0	kg
Construction: Standard	Epoxy coated steel	
Construction: Optional	Stainless Steel housing, plated alloy steel sensor	
Environmental Protection	IP67	
Cable	15 Meters (Standard), 6 Wire, PVC Jacket, Floating Screen	
Approvals		

* Total Error - According to OIML R60 (Typical 80% Utilization) Also Available In 75 And 100 Ton Capacities.

Wiring Schematic Diagram



Outline Dimensions All Capacities (in mm)



CAPACITY kg	ØA
5,000 - 20,000	28
25,000 - 60,000	45

高量程压式式 **120-50T** 称重传感器特性:

量程 **3-50T**

不锈钢外壳, 合金钢材质

防雷击保护

安装简单

0.02%的综合误差

六线制回馈线路

输出误差 **0.1%**

防护等级 **IP68**

高量程柱式称重传感器型号 **120** 系列

120-3t 120-5t 120-10t 120-20t 120-30t 120-50t

柱式 **121** 系列称重传感器型号

121-10t 121-20t 121-30t 121-50t

不锈钢称重传感器

220-5T 220-10T 220-20T 220-30T 220-50T

单点式称重传感器 **1241** 系列:

1241-50kg 1241-100kg 1241-150kg 1241-200kg 1241-250kg

1242-50kg 1242-100kg 1242-150kg 1242-200kg 1242-250kg

1320-1000kg 1320-1500kg 1320-2000kg

1260-50kg 1260-75kg 1260-100kg 1260-150kg 1260-250kg 1260-300kg

1260-500kg 1260-635kg 1260-660kg

1130-7kg 1130-10kg 1130-15kg 1130-20kg 1130-30kg 1130-50kg 1130-75kg

1130-100kg

不锈钢称重传感器 **1263** 系列

1263-50kg 1263-100kg 1263-150kg 1263-200kg 1263-250kg 1263-300kg
1263-500kg 1263-635kg

1330-500kg 1330-750kg 1330-1000kg